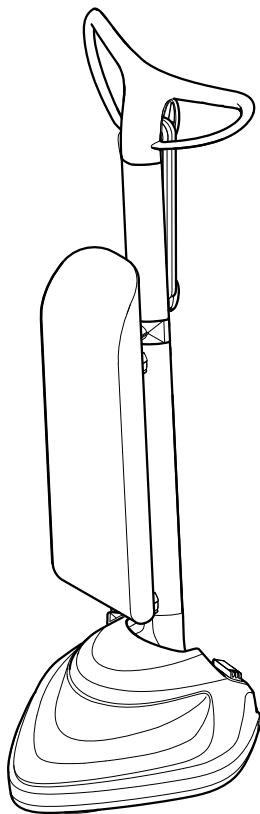


# KÄRCHER

makes a difference

**FP 303**



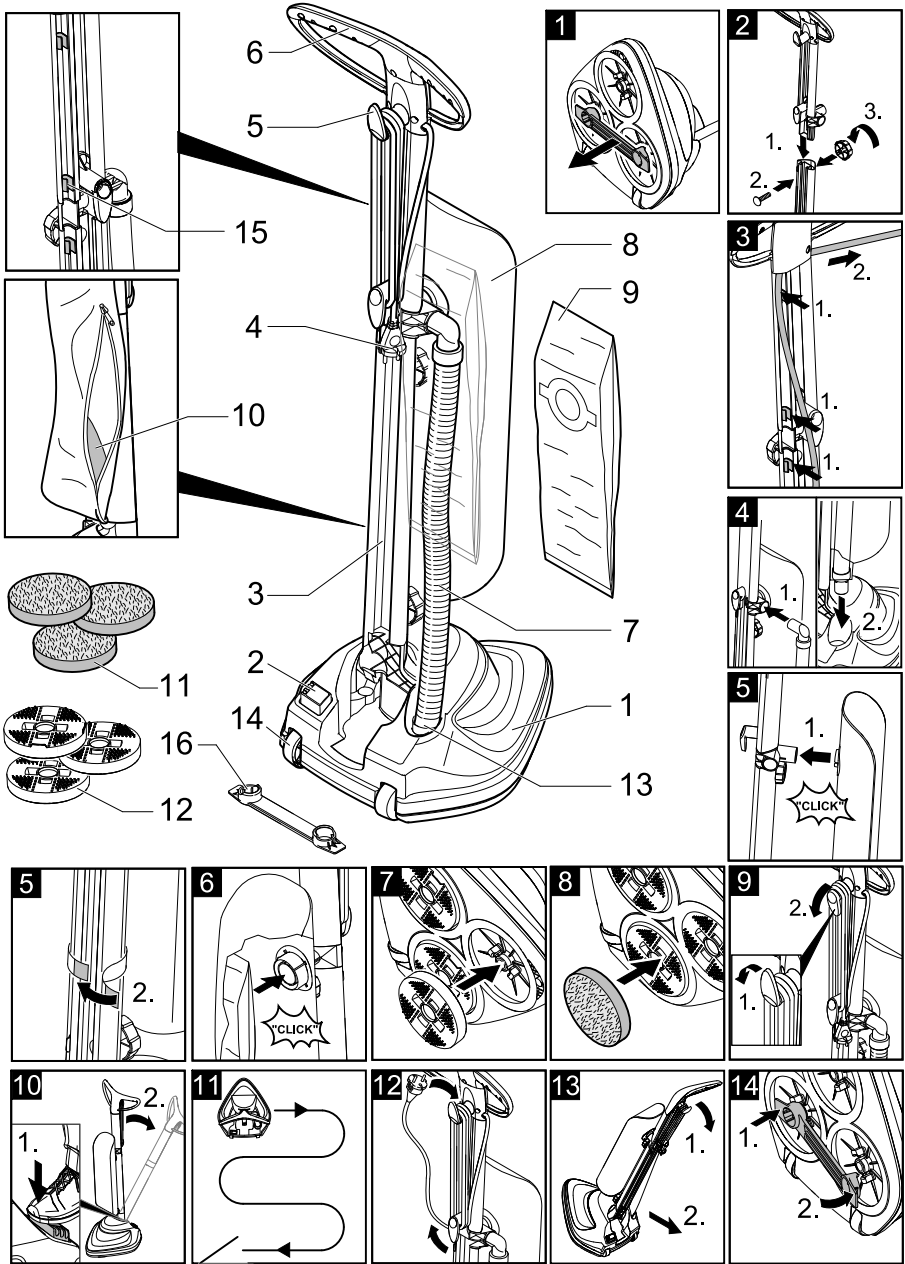
**Register  
your product**  
[www.kaercher.com/welcome](http://www.kaercher.com/welcome)



**EAC**



59661590 02/2019



## Contents

General notes . . . . .	EN . . . 3
Safety instructions . . . . .	EN . . . 4
Start up . . . . .	EN . . . 4
Operation . . . . .	EN . . . 5
Finish operation . . . . .	EN . . . 6
Maintenance and care . . . . .	EN . . . 7
Troubleshooting . . . . .	EN . . . 7
Technical specifications . . . . .	EN . . . 7
Special accessories . . . . .	EN . . . 8

## General notes

### Dear Customer,



Please read and comply with these original instructions prior to the initial operation of your appliance and store them for later use or subsequent owners.

### Proper use

- This appliance has been designed for use in private households and is not intended for commercial use.
- This appliance can be used for polishing parquet, laminate, stone floors, linoleum and PVC floors.
- The appliance is only meant for sucking polishing dust.
- The appliance is not a vacuum cleaner! Do not use to draw in dry dust!
- Do not use care products containing solvents.
- The appliance should not be used on carpets and similar surfaces.
- Do not load down the appliance with additional weights.
- The appliance should not be used or stored in the open or under wet conditions.
- The appliance may only be used with original filter bags, original spare parts, accessories or special accessories.

- Always move the appliance while it is running. Do not stay in one place for extended periods, because this could cause damages to the flooring.
- Please observe the notes of the flooring and care product manufacturers!

The manufacturer is not responsible for any damages that may occur on account of improper use or wrong operations.

### Environmental protection



The packaging material can be recycled. Please do not place the packaging into the ordinary refuse for disposal, but arrange for the proper recycling.



Old appliances contain valuable materials that can be recycled. Please arrange for the proper recycling of old appliances. Please dispose your old appliances using appropriate collection systems.

### Notes about the ingredients (REACH)

You will find current information about the ingredients at:

[www.kaercher.com/REACH](http://www.kaercher.com/REACH)

### Warranty

The terms of the guarantee applicable in each country have been published by our respective national distributors. We will repair possible faults on your unit free of charge within the warranty period, insofar as the faults are caused by material defects or defective workmanship. Guarantee claims should be addressed to your dealer or the nearest authorized customer service centre, and supported by documentary evidence of purchase.

(See address on the reverse)

### Customer Service

Our KÄRCHER branch will be pleased to help you further in the case of questions or faults.

(See address on the reverse)

## Ordering spare parts and special attachments

At the end of the operating instructions you will find a selected list of spare parts that are often required.

You can procure the spare parts and the attachments from your dealer or your KÄRCHER branch office.

(See address on the reverse)

## Safety instructions

### Power connection

- Always commission and use the appliance according to the type plate.
- Never touch the mains plug with wet hands.
- To separate the machine from the mains, pull the plug and not the power cord.
- Do not damage the power cord or the extension cable by running over, pinching, dragging or similar. Protect the cable from heat, oil, and sharp edges.
- Protect the appliance against external weather, humidity and heat sources.

### Application

- *In case of extended downtimes, switch the appliance off at the main switch / appliance switch or remove the mains plug.*
- *This device is not intended for use by persons (including children) with reduced physical, sensory or mental abilities or lacking experience and/or knowledge, unless they are supervised by a person responsible for their safety or are instructed by these persons on the use of the device. Children should be supervised, to ensure that they do not play with the device.*
- The operator must use the appliance properly. The person must consider the local conditions and must pay attention to third parties, in particular children, when working with the appliance.

- The operator must ensure that no objects that can be sucked in or thrown away by the rotating disc are present in the working area.

### Transport

- The engine is to be brought to a standstill and the appliance is to be fastened properly during transportation.

### Maintenance

- First pull out the plug from the mains before carrying out any tasks on the machine.
- To avoid risks, all repairs and replacement of spare parts in the machine may only be carried out by the authorised customer service personnel.

## Start up

### Description of the Appliance

- 1 Polishing head
- 2 Foot switch for strut release
- 3 Strut
- 4 Power cord with plug
- 5 Storage, power cord
- 6 Handle
- 7 Suction hose
- 8 Cloth bag
- 9 Filter bag
- 10 Storage compartment for polishing pads
- 11 Polishing pads
- 12 Pad holder
- 13 Suction hose connection
- 14 Transport rolls
- 15 Attachments for mains cable (4 ea.)
- 16 Transport lock

## Remove transport lock

### Illustration 1

- Remove the transport locks the first time you use and before using the appliance by pulling them off.

## Assemble the strut and attach it

### Illustration 2

- Assemble both parts of the strut and secure with the enclosed screw and nut.
- Insert the entire strut into the polishing head and attach with a screw.

**Note:** Here, take into account the location of the mains cable.

### Illustration 3

- Press the mains cable into the attachments and tension it.

## Connect suction hose

### Illustration 4

- Insert the straight end of the suction hose into the polishing head, insert the bent end into the strut connection.

## Inserting the cloth bag

### Illustration 5

- First, push the upper part of the cloth bag into the intake until it locks.
- Then attach the bottom part to the strut using the Velcro pad.

## Inserting a filter bag

### Illustration 6

- Open the zipper of the cloth bag.
- Insert the filter bag and slide the carton with the opening over the support until it locks into place. Recheck the correct positioning of the filter bag.
- Close the zipper on the cloth bag.

## Insert pad holder

### Illustration 7

- Place the appliance on the floor so that the polishing head is positioned perpendicular to the surface.
- Simply press the pad holder into the intake. Ensure that the noses of the pad holders lock well into the intake.
- To remove the pad holders, simply pull them off.

## Insert the polishing pads

### Illustration 8

- Install the polishing pads on the pad holders and ensure that they are centered properly.
- To remove the polishing pads, simply pull them off.

## Storing the polishing pads

- The polishing pads can be stored in a separate compartment in the bottom part of the cloth bag.

## Operation

### Note:

*Always work with the filter bag inserted.*

### ⚠ Caution

*Before inserting the mains plug, ensure that the strut is located in a vertical position. The appliance is switched off in this position.*

### Illustration 9

- Turn the upper cable hook and remove the mains cable. Insert the mains plug into a socket.

### Illustration 10

- Press hold down the unlocking key. Pull the shaft in the rear direction. The device is activated.
- To stop the appliance, bring the strut back to the vertical position until it locks.

## Complete care

It is recommended to perform the complete care 2 to 3 times per year.

### Remove the dirt from the floor

- Sweep, vacuum or wipe the floor or floor covering with a moist rag if necessary.

### Applying care products

- Use a mop to distribute the care product evenly on the floor. Let dry completely

**Notes:** Please observe the instructions for use of the flooring and care product manufacturers!

Do not use care products containing solvents.

### Polishing

*Illustration 11*

- Drive across the surface multiple times as shown in the illustration until the desired shine is achieved.

Always move the appliance while it is running. Do not stay in one place for extended periods, because this could cause damages to the flooring.

**Note:** Observe the manufacturer's instructions regarding when to walk on the floor or move furniture, etc. We recommend waiting at least 12 hours. During this period, only walk on the surface carefully and not in street shoes. Do not move any furniture and do not apply water to the floor.

## Maintenance care

We recommend performing the maintenance care procedures once per month to achieve an evenly distributed shine.

- Depending on the manufacturer, the care product can be poured directly into the cleaning water. Please observe the instructions for use of the flooring and care product manufacturers!
- Then polish the surface.

## Intermediate care

- Depending on the requirements and the use of the floor (foot marks, streaks...), the care coat can be polished multiple times without the need of applying new care products to the floor.

## Finish operation

- Bring the strut back to a vertical position. Appliance switches off.

*Illustration 12*

- Remove the mains plug and wrap it around the hook provided at the strut. First turn the upper cable hook upwards.

## Transporting the appliance

Ensure that the appliance moves on the transport wheels while transporting it from one room to another or moving it to its storage location.

*Illustration 13*

- For this, press handle backwards and pull the appliance.

## Storing the Appliance

We recommend activating the transport lock if the appliance will not be used for extended period of time.

*Illustration 14*

- Place the appliance on the floor so that the polishing head is positioned perpendicular to the surface.
- Remove the pad holder from the appliance and place it into the storage compartment.
- Press the transport lock into the intake of the pad holder on one side and hold it there. Firmly press the other side of the transport lock into the intake of the second pad holder and lock into place.
- Store the appliance upright in a dry room.

## Maintenance and care

### **⚠ Risk of injury**

Turn off the appliance and remove the mains plug prior to any care and maintenance works.

### **Cleaning the appliance and accessories**

### **⚠ Caution**

*Do not use abrasives, glass or universal cleaners! Never immerse the appliance in water.*

### **Cleaning the polishing pads**

➔ Remove and tap the polishing pads after every use. Wash and dry as needed.

**Note:** Can be washed at 60 °C; please do not use any soft detergents, do not dry in dryer.

➔ Place dry polishing pads into the storage compartment.

### **Inserting a filter bag**

Change the filter bag at regular intervals.

➔ See Chapter "Inserting a filter bag".

### **Replacing polishing pads**

Check the state of the polishing pads at regular intervals; replace them if they are worn out.

➔ See Chapter "Insert the polishing pads".

## Troubleshooting

### **Discs running unevenly / rattling sound**

- This sound is caused by the system. The appliance was not stored with the transport lock activated. This sound will disappear on its own after a while during polishing.

## Technical specifications

Voltage	230	V
Current type	1~50/ 60	Hz
Protective class	II	
Connected load	600	W
Rotating speed, polishing discs	1000	rpm
Weight	7	kg
Dimensions	385 x 340 x 1155	mm
Volume, filter bag	4	l

***Subject to technical modifications!***

## Special accessories

The following optional accessories for this appliance can be purchased later:

### Stone floors / linoleum / PVC

Optimised care and protection for matte artificial and natural stone floors, linoleum and PVC.

- **Polishing pads stone / linoleum / PVC** (3 pc.)  
(order no. 2.863-198.0)
- **Floor care stone matte RM 532**  
(1 litre)  
(order no. 6.295-776.0)



### Waxed parquet flooring / wooden floors with oil-wax finish

Optimised care and protection for waxed parquet flooring or wooden floors with oil-wax finish.

- **Polishing pads parquet flooring waxed** (3 pc.)  
(order no. 2.863-196.0)
- **Floor care parquet flooring waxed RM 530** (1 litre)  
(order no. 6.295-778.0)



### Sealed parquet / cork / laminate

Optimised care and protection for sealed parquet, laminate and cork flooring.

- **Polishing pads parquet sealed / cork / laminate** (3 pc.)  
(order no. 2.863-197.0)
- **Floor care parquet sealed RM 531**  
(1 litre)  
(order no. 6.295-777.0)

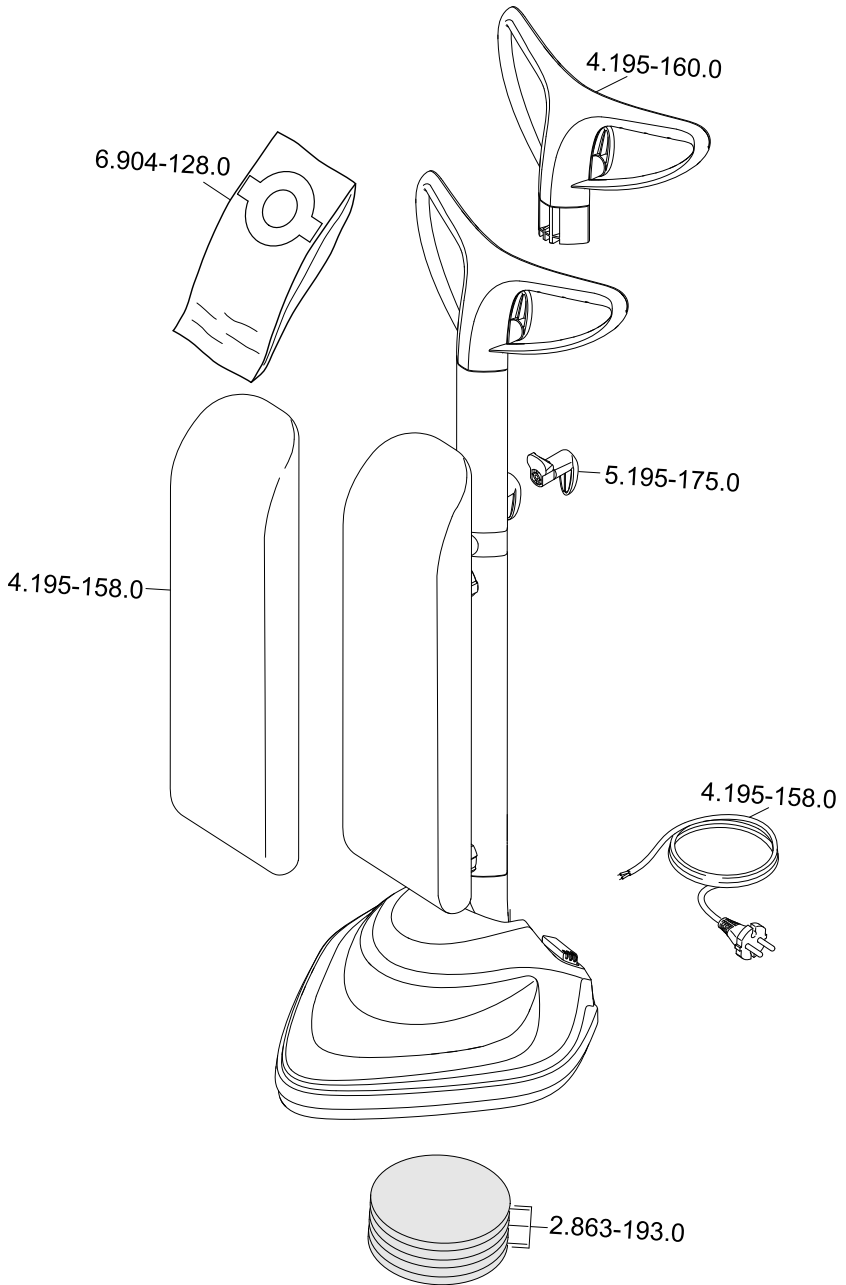


### Additional Accessories

- **Basic cleaner for hard surfaces RM 533** (1 litre)  
(order no. 6.295-775.0)  
For the thorough removal of old layers of care products and stubborn soiling on stone, linoleum, PVC.
- **Polishing pads universal** (3 pc.)  
(order no. 2.863-193.0)
- **Filter bags** (3 ea.)  
(order no. 6.904-128.0)









**THANK YOU!**  
**MERCI! DANKE! ¡GRACIAS!**



Registrieren Sie Ihr Produkt und profitieren Sie von vielen Vorteilen.

Register your product and benefit from many advantages.

Enregistrez votre produit et bénéficiez de nombreux avantages.

Registre su producto y aproveche de muchas ventajas.

**[www.kaercher.com/welcome](http://www.kaercher.com/welcome)**

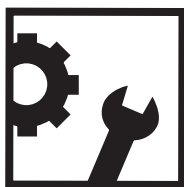


Bewerten Sie Ihr Produkt und sagen Sie uns Ihre Meinung.

Rate your product and tell us your opinion.

Évaluer votre produit et dites-nous votre opinion.

Reseñe su producto y díganos su opinión.



**[www.kaercher.com/dealersearch](http://www.kaercher.com/dealersearch)**

**Alfred Kärcher SE & Co. KG**

Alfred-Kärcher-Str. 28-40

71364 Winnenden (Germany)

Tel.: +49 7195 14-0

Fax: +49 7195 14-2212

